



IIT '0' Gen



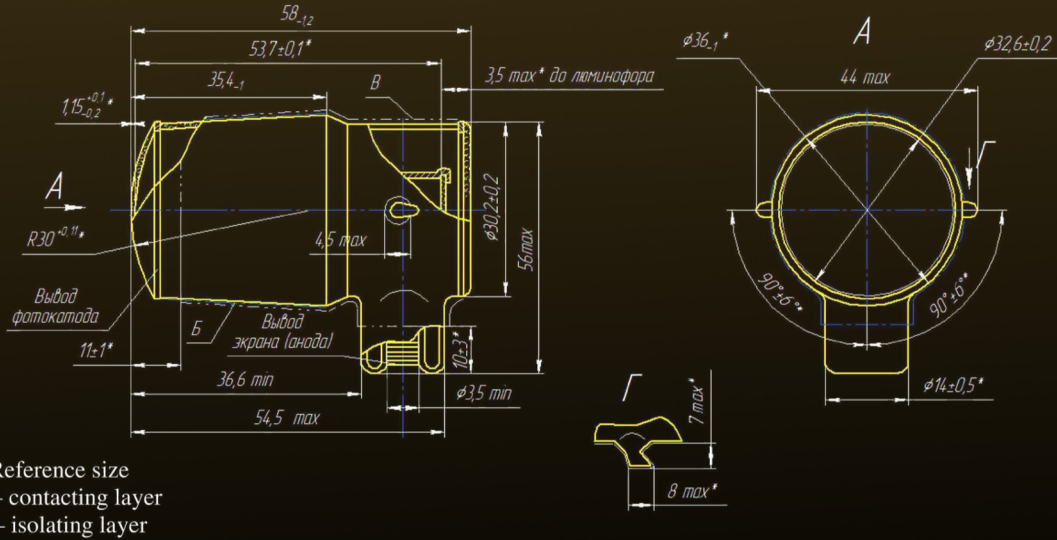
EKRAN
OPTICAL SYSTEMS



Image intensifier tube EP33-SF with spherical photocathode

EP33-SF – single chamber device in glass version, has a two-electrode electrostatic focusing system, multialkaline photocathode S25 in the area of wavelengths 350-900 nm, yellow-green color screen of luminescence, spherical photocathode. It has reduced level of distortion and improved resolution in the area of view.

EP33-SF is a component element in the night vision devices for the brightness magnification of image at the natural night light and with the using of IR illumination.



Technical specification

Parameter, unit	Values
Photocathode integral sensitivity, mkA/lm, no less	200
Photocathode sensitivity with filter, mkA/lm, no less	70
Resolution at center, lm/mm, no less	36
Operating resolution, lm/mm, no less	28
Image intensifier magnification, rel. u	0,47
Distortion on diam. 15 mm, no more %	8
Useful photocathode diameter, mm	19,2
Eccentricity, mm, no more	0,5
Operating voltage, kV	18
MTF, h, no less	1000
Mechanical shock with peak shock acceleration, m/c ² (g)	
- single action	1500 (150)
- reoperable	150 (15)
Operating temperature, °C	-40 ÷ +40

Purity of the visual area:

Zone	Form and size of zones on photocathode, mm	The greatest diameter of points, mm		The total area of allowable defects on the screen, mm ²
		Non accounted	Accounted	
1	Circle Ø 12,0	0,047	Size 0,235 Quantity 1	0,0433
2	Ring Ø 12,0-19,2	0,073	Size 0,294 Quantity 2	0,1357



EKRAN
OPTICAL SYSTEMS

JSC «Ekran - optical systems»
630047 Russia, Novosibirsk, Dargomyzhskogo 8a

F: +7(383)325-17-58 M: info@ekran-os.ru www.ekran-os.ru