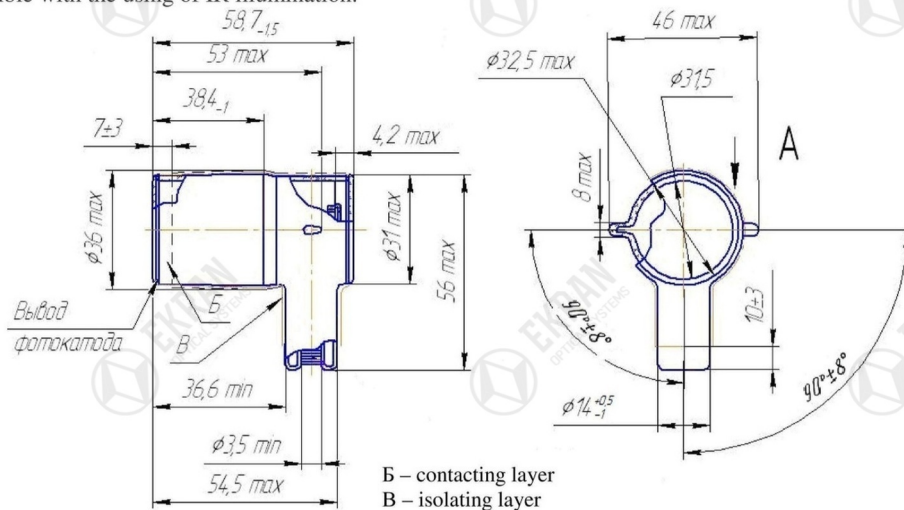


## Image intensifier tube V-8K

V-8K – single chamber device in glass version, has a two-electrode electrostatic focusing system, silver-oxygen-caesium photocathode in the area of wavelengths 400-1200 nm, yellow-green color screen of luminescence.

V-8K is a component element in the night vision devices for converting an infrared image into a visible with the using of IR illumination.



### Technical specification

Parameter, unit	Values
Photocathode sensitivity with filter, mkA/lm, no less	8
Resolution at center, lm/mm, no less	35
Operating resolution, lm/mm, no less	10
Image intensifier magnification, rel. u	0,47
Useful photocathode diameter, mm	24
Operating voltage, kV	19
MTF, h, no less	1000
Mechanical shock with peak shock acceleration, m/c <sup>2</sup> (g)	
- single action	1500 (150)
- reoperable	150 (15)
Operating temperature, °C	-50 ÷ +50

### Purity of the visual area (allowable dimensions of stationary dark spots):

Zone	Form and size of zones on photocathode, mm	The greatest diameter of points, mm			The total area of allowable defects on the screen, mm <sup>2</sup>
		Non accounted	Accounted		
			Size	Quantity	
1	Circle Ø 12,0	0,0735	0,294	2	0,452
2	Ring Ø 12,0-19,2	0,1	0,588	1	0,904
3	Ring Ø 19,2-24,0	Non specified			



**EKRAN**  
OPTICAL SYSTEMS

JSC «Ekran - optical systems»  
630047 Russia, Novosibirsk, Dargomyzhskogo 8a

F: +7(383)325-17-58 M: info@ekran-os.ru [www.ekran-os.ru](http://www.ekran-os.ru)