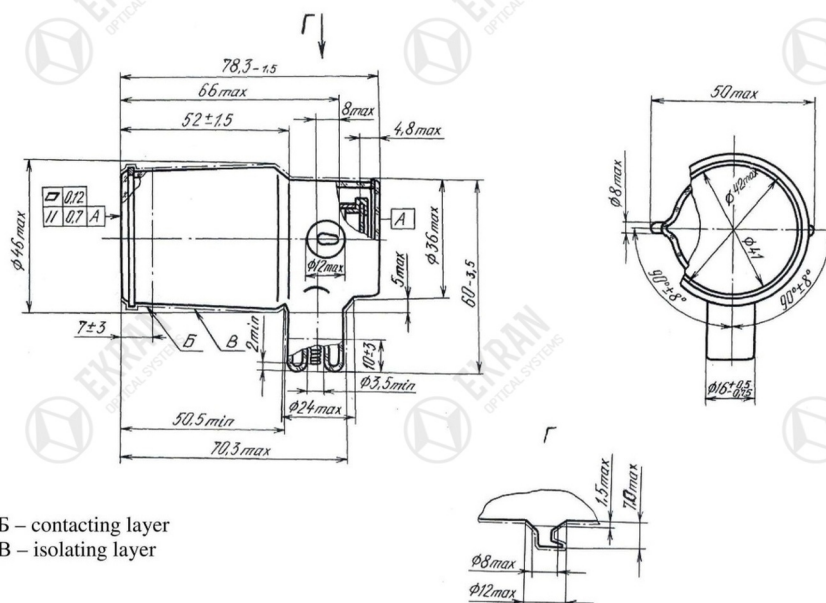


Image intensifier tube V-2K

V-2K – single chamber device in glass version, has a two-electrode electrostatic focusing system, silver-oxygen-caesium photocathode in the area of wavelengths 400-1200 nm, yellow-green color screen of luminescence.

V-2K is a component element in the night vision devices for converting an infrared image into a visible with the using of IR illumination.



Б – contacting layer
B – isolating layer

Technical specification

Parameter, unit	Values
Photocathode sensitivity with filter, mkA/lm, no less	10
Resolution at center, lm/mm, no less	35
Operating resolution, lm/mm, no less	10
Image intensifier magnification, rel. u	0,52
Useful photocathode diameter, mm	33,5
Operating voltage, kV	19
MTF, h, no less	1000
Mechanical shock with peak shock acceleration, m/c ² (g)	
- single action	1500 (150)
- reoperable	400 (40)
Operating temperature, °C	-50 ÷ +50
Weight, g, no more	60

Purity of the visual area:

Zone	Form and size of zones on photocathode, mm	The greatest diameter of points, mm			The total area of allowable defects on the screen, mm ²
		Non accounted	Accounted		
			Size	Quantity	
1	Circle Ø 16,75	0,05	0,15	3	0,072
2	Ring Ø 16,75-26,8	0,10	0,25	4	0,238
3	Ring Ø 26,8-33,5	0,15	0,50	2	0,475



EKRAN
OPTICAL SYSTEMS

JSC «Ekran - optical systems»
630047 Russia, Novosibirsk, Dargomyzhskogo 8a

F: +7(383)325-17-58 M: info@ekran-os.ru www.ekran-os.ru